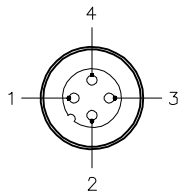
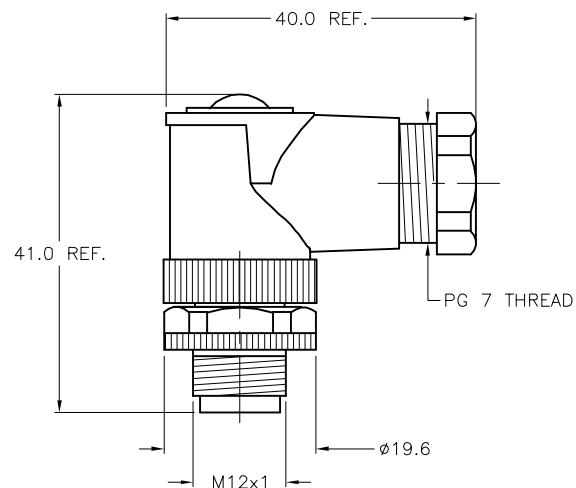


MALE END VIEW



SPECIFICATIONS

HOUSING MATERIAL/PLATING	PBT/BLACK
CONTACT MATERIAL/PLATING	BRASS/GOLD
COUPLING NUT MATERIAL/PLATING	BRASS/NICKEL
RATED CURRENT [A]	4.0 A
RATED VOLTAGE [V]	250 V
MAXIMUM WIRE SIZE	18 AWG
CABLE GRIP RANGE	4-6mm
TEMPERATURE RATING	-40°C to +85°C (-40°F to +185°F)
PROTECTION CLASS	IEC IP67
TERMINATION TYPE	SCREW TERMINAL



RELATED DOCUMENTS

- 1.
- 2.
- 3.
- 4.

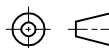
MATERIAL

SEE SPECIFICATIONS

FINISH

SEE SPECIFICATIONS

3RD ANGLE PROJECTION



ALL DIMENSIONS DISPLAYED ON THIS DRAWING ARE FOR REFERENCE ONLY

CONTACT TURCK FOR MORE INFORMATION

THIS DRAWING IS CONFIDENTIAL AND THE PROPERTY OF TURCK INC. USE OF THIS DOCUMENT WITHOUT WRITTEN PERMISSION IS PROHIBITED.

DRFT CBM
APVD

UNIT OF MEASUREMENT
MILLIMETERS

DO NOT SCALE THIS DRAWING

3000 CAMPUS DRIVE
MINNEAPOLIS, MN 55441
1-800-544-7769
(763) 553-7300
(763) 553-0708 fax
www.turck.us



DATE 05/04/99
SCALE 1=1.0
DESCRIPTION
BS 8241-0

IDENTIFICATION NO. U6560
REV G

G	UPDATE TEMPERATURE SPECS	RDS	04/11/17	59647
REV	DESCRIPTION	BY	DATE	ECO NO.